

1

2

3

4

5

6

RevNo

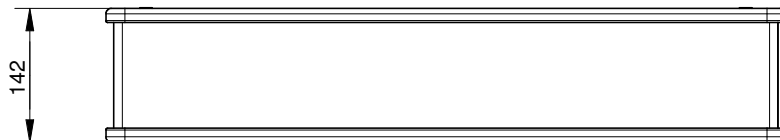
Revision note

Date

Signature

Checked

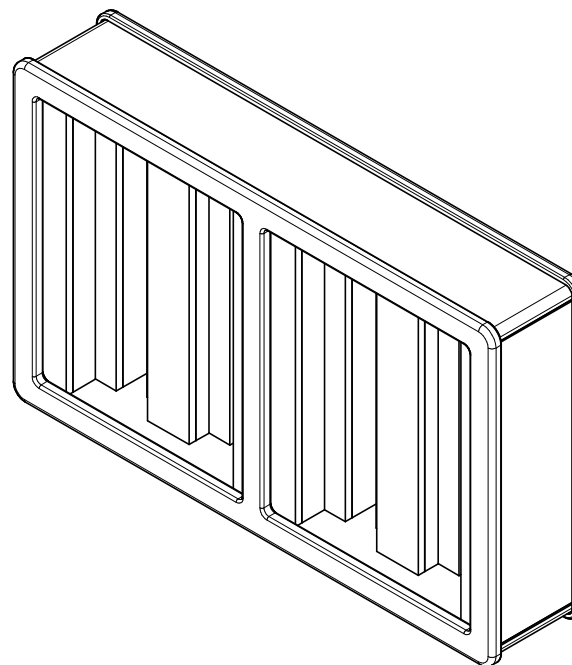
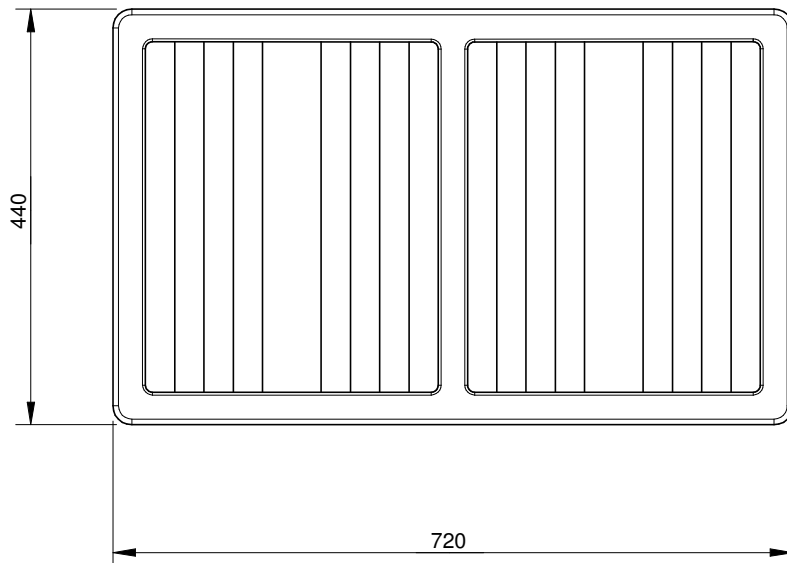
A



B

C

D



A

B

C

D

CINOPANEL_diffuser D

Edition

Sheet

6

1

2

3