

1

2

3

4

5

6

RevNo

Revision note

Date

Signature

Checked

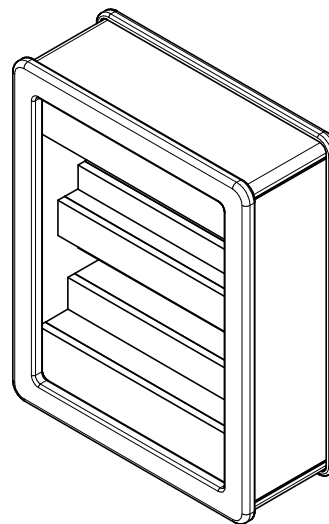
A

A



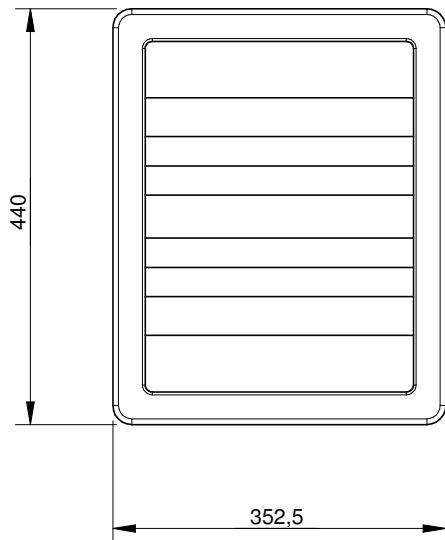
B

B



C

C



D

D

CINOPANEL_diffuser Dvs

Edition

Sheet

6

1

2

3