

1

2

3

4

5

6

RevNo

Revision note

Date

Signature

Checked

A

A

B

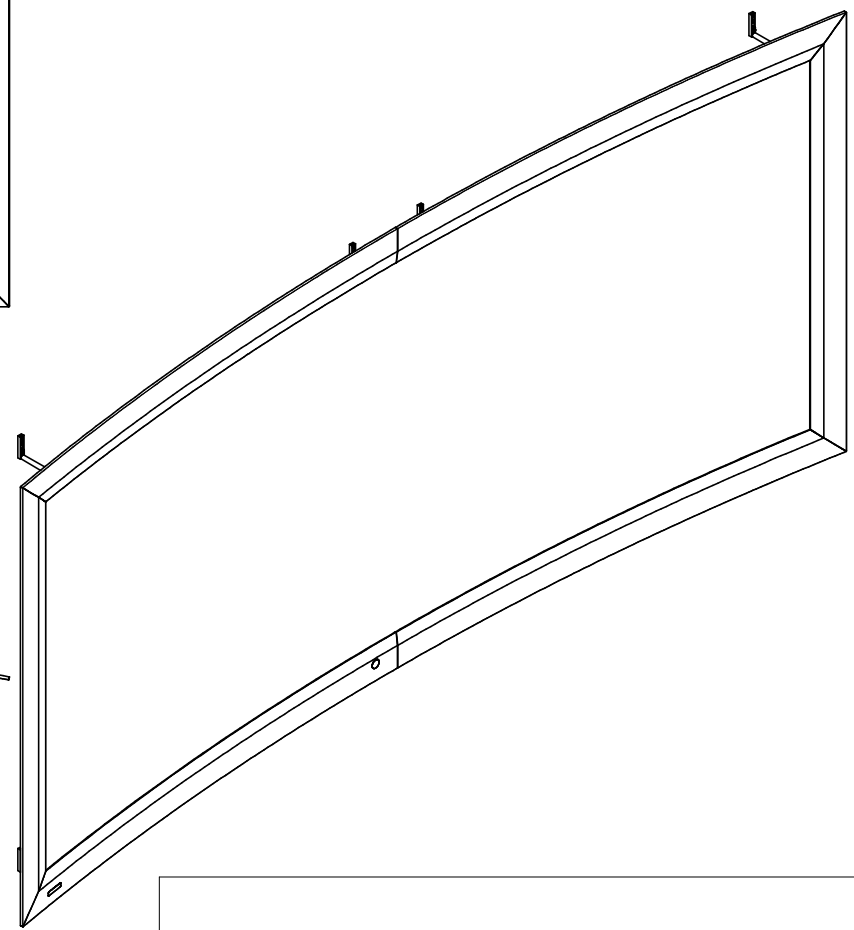
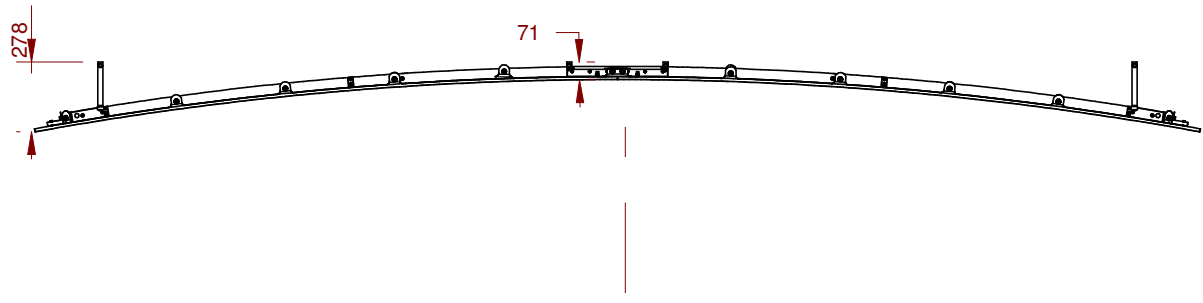
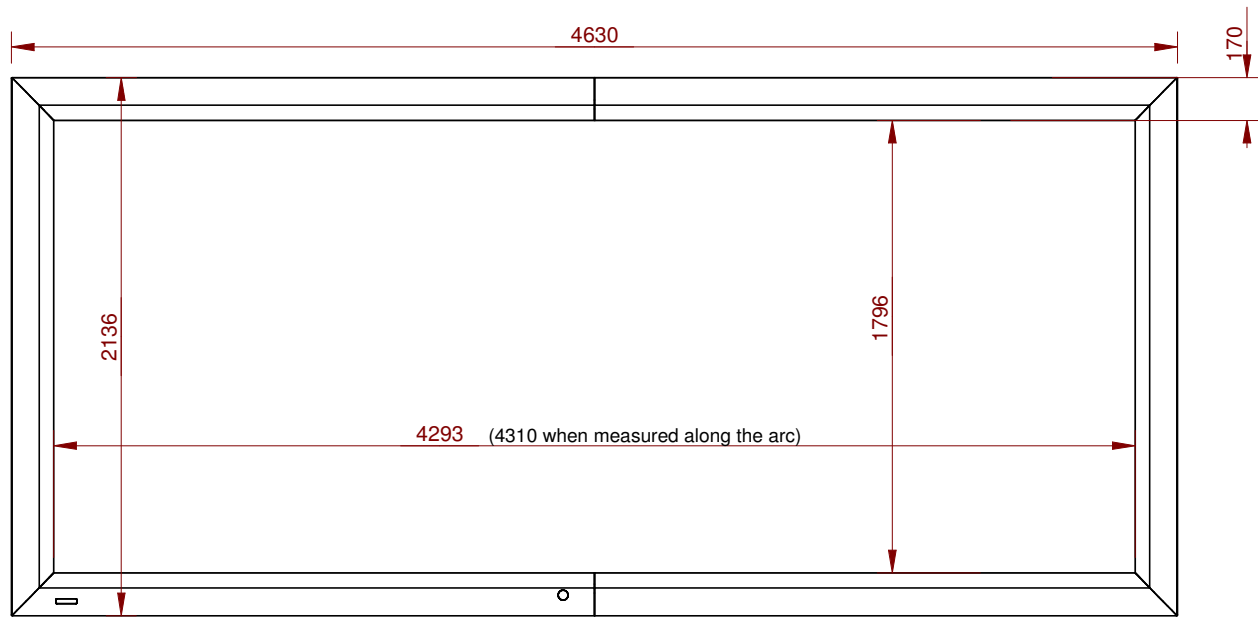
B

C

C

D

D



CINOSCREEN_curved -- 184"					Edition		Sheet	
							6	

1

2

3

6