

1

2

3

4

5

6

RevNo

Revision note

Date

Signature

Checked

A

B

C

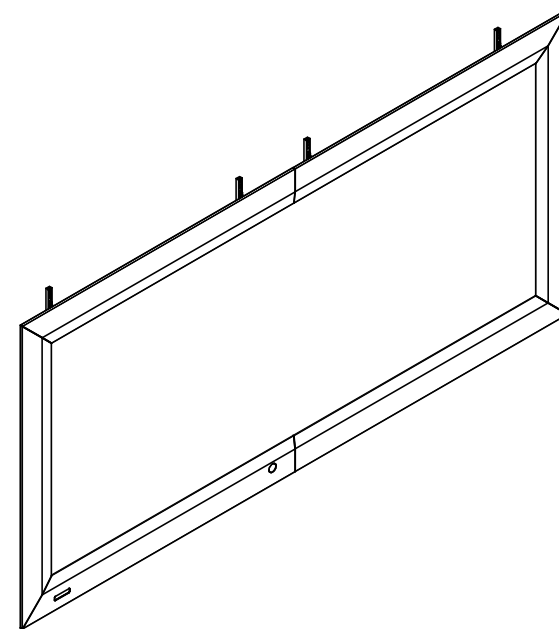
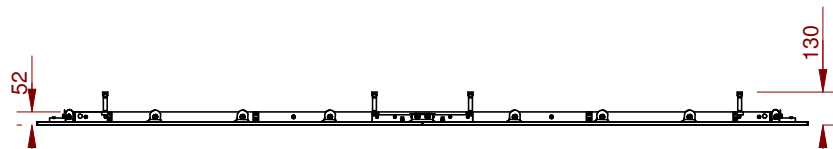
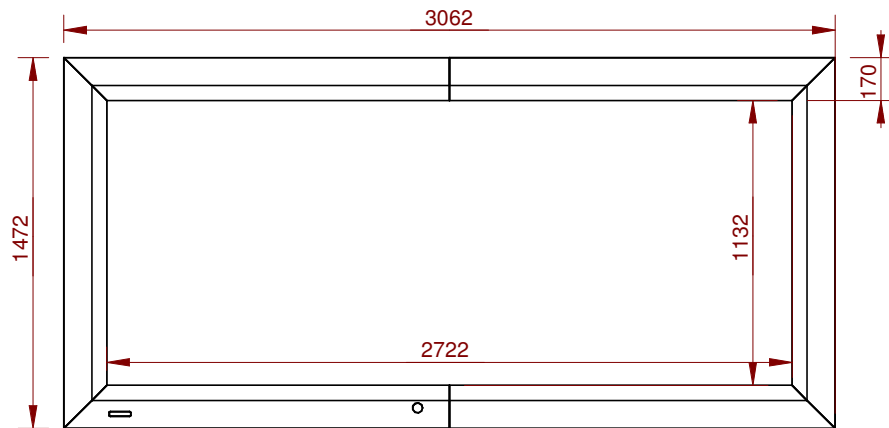
D

A

B

C

D



CINOSCREEN_flat -- 116"						Edition		Sheet	
						6			

1

2

3

6