

1

2

3

4

5

6

RevNo

Revision note

Date

Signature

Checked

A

B

C

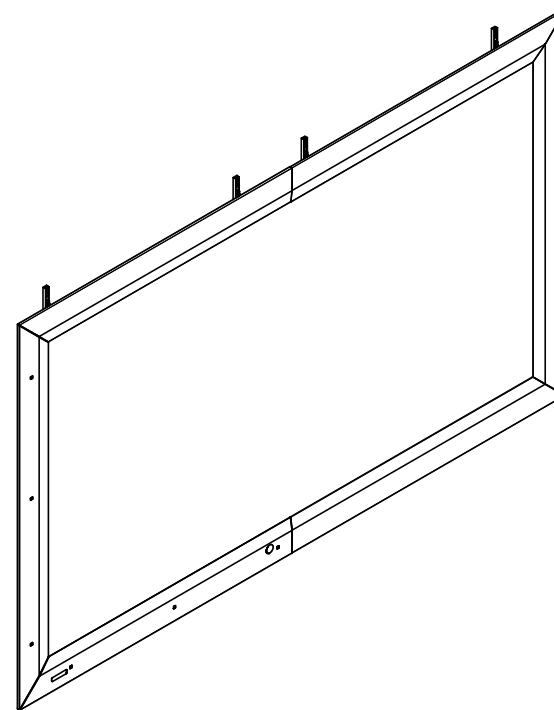
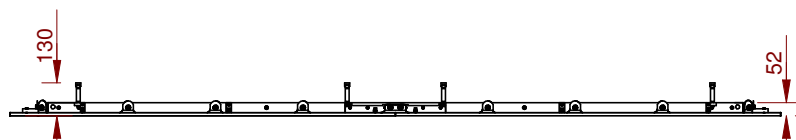
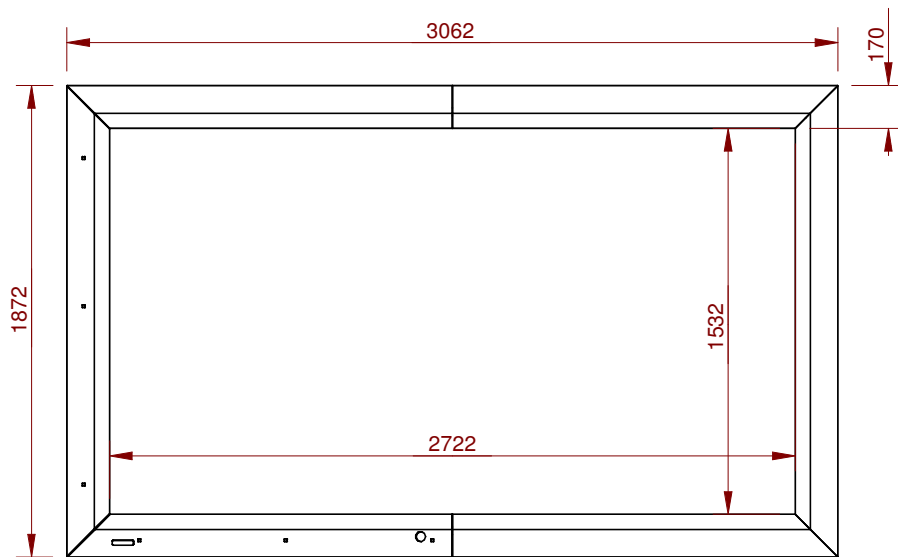
D

A

B

C

D



CINOSCREEN_flat -- 122"

Edition

Sheet

1

2

3

6