

1

2

3

4

5

6

RevNo

Revision note

Date

Signature

Checked

A

B

C

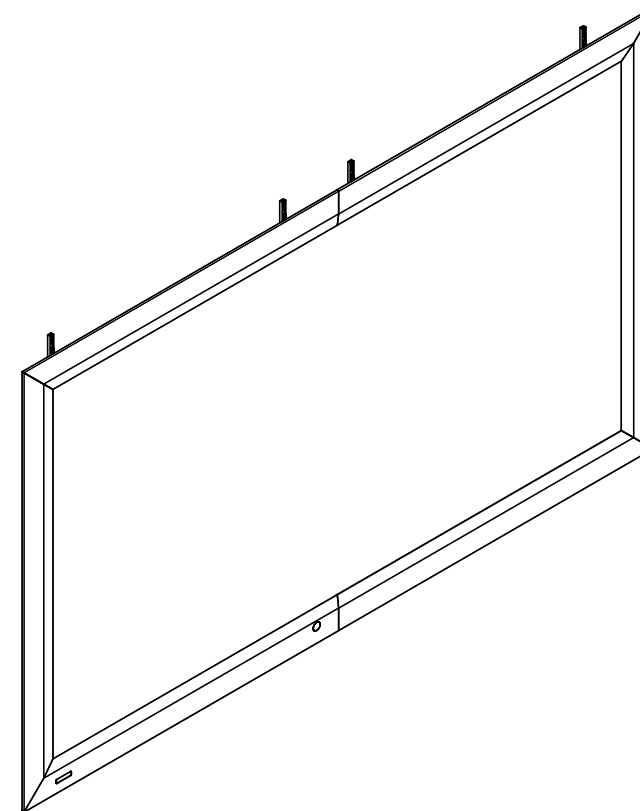
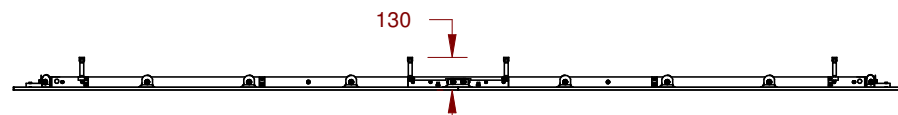
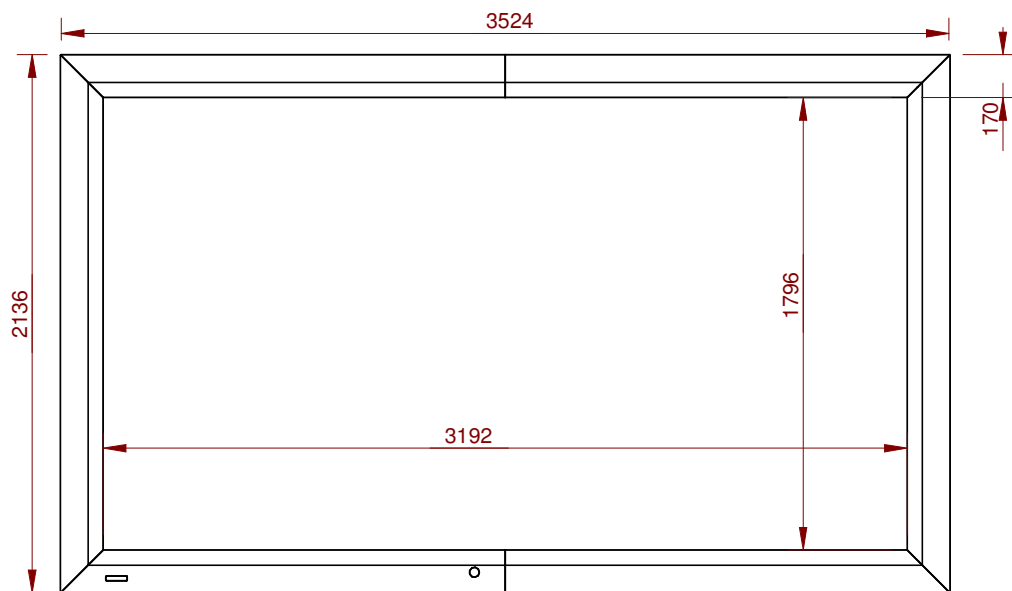
D

A

B

C

D



| | | | | | | |
|-------------------------|--|--|--|--|---------|-------|
| CINOSCREEN_flat -- 144" | | | | | Edition | Sheet |
| | | | | | 6 | |

1

2

3

6