

1

2

3

4

5

6

RevNo

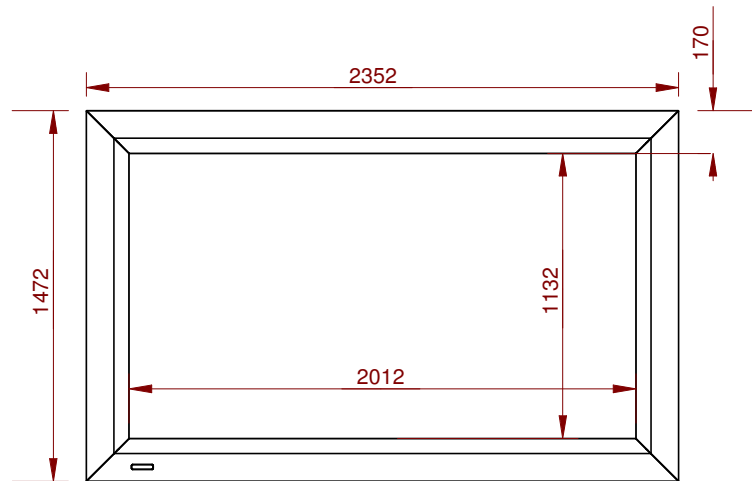
Revision note

Date

Signature

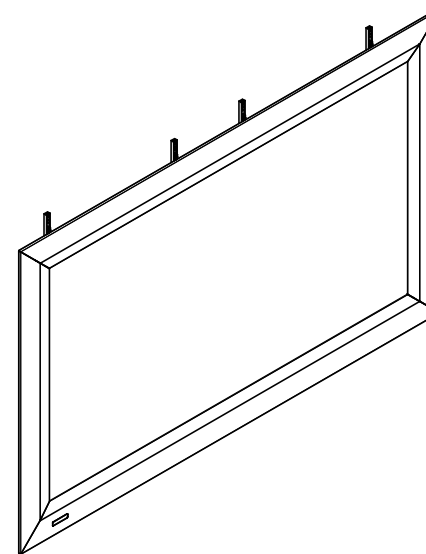
Checked

A



170

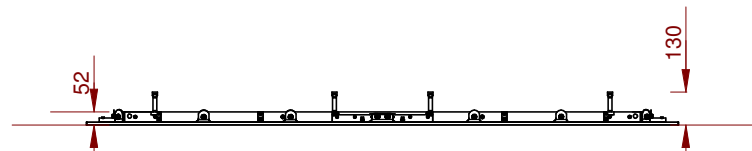
B



A

B

C



130

52

C

D

CINOSCREEN_flat -- 91"					Edition		Sheet	
					6			

1

2

3

6

D