

1

2

3

4

5

6

RevNo

Revision note

Date

Signature

Checked

A

A

B

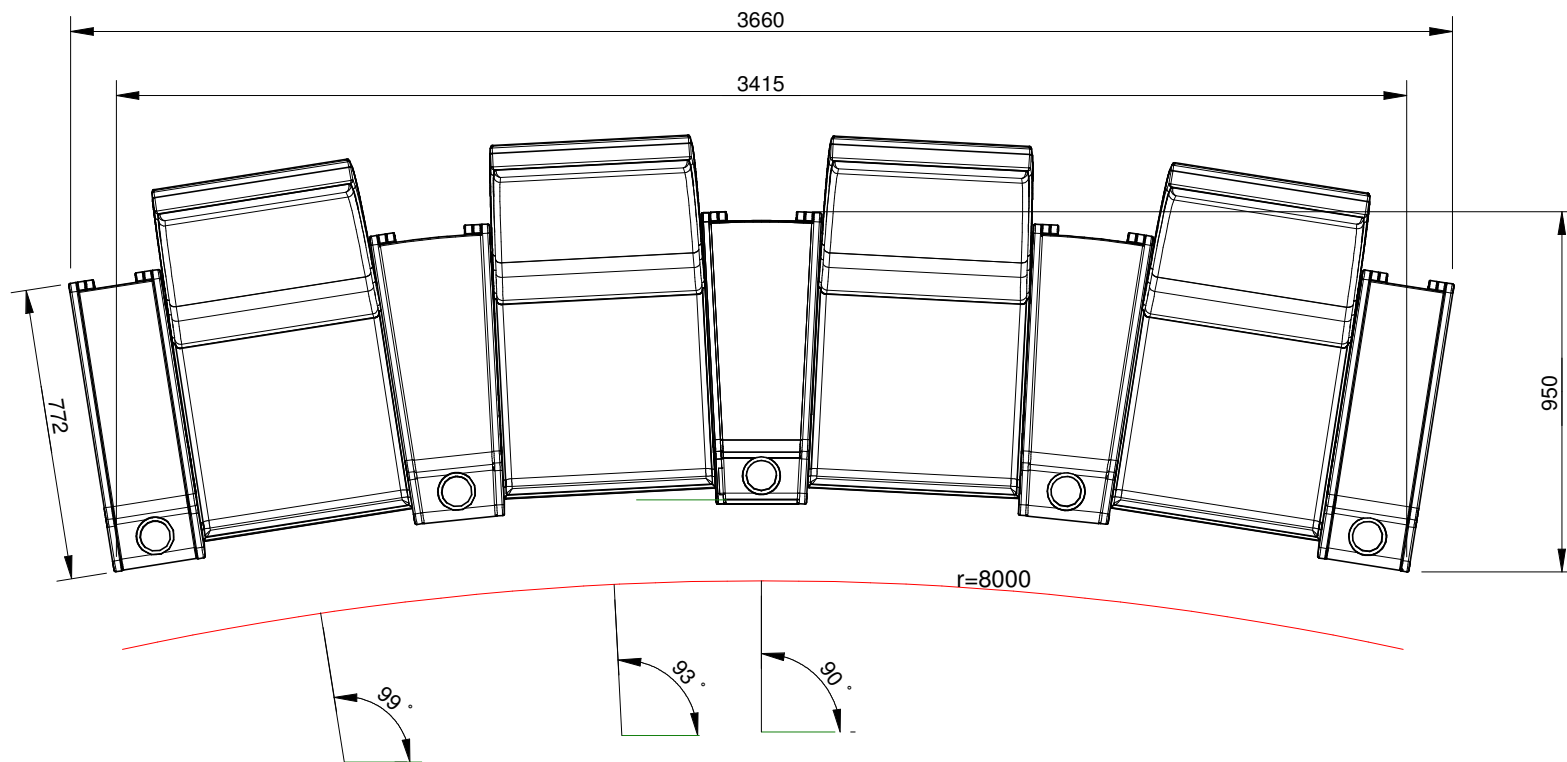
B

C

C

D

D



CINOSEAT \_master  
4 seats in a row

Edition

Sheet

1

2

3

6